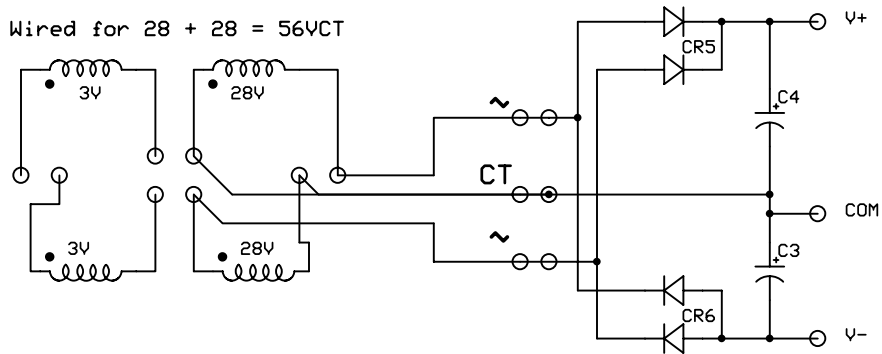
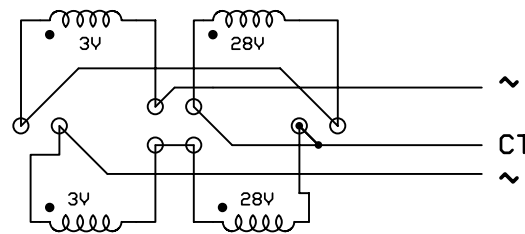


Transformer terminals shown as arranged

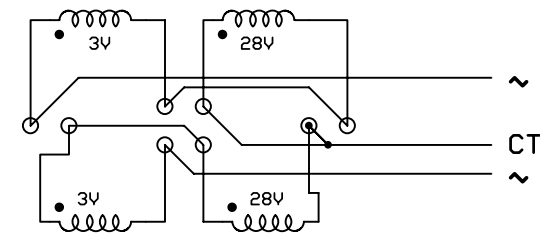
Wired for 28 + 28 = 56VCT



Wired for 31 + 31 = 62VCT



Wired for 25 + 25 = 50VCT



Erickson Engineering

Power One Audio Amp PS

D. Erickson

Rev 1.0

1/1/2010

Page 1 / 1