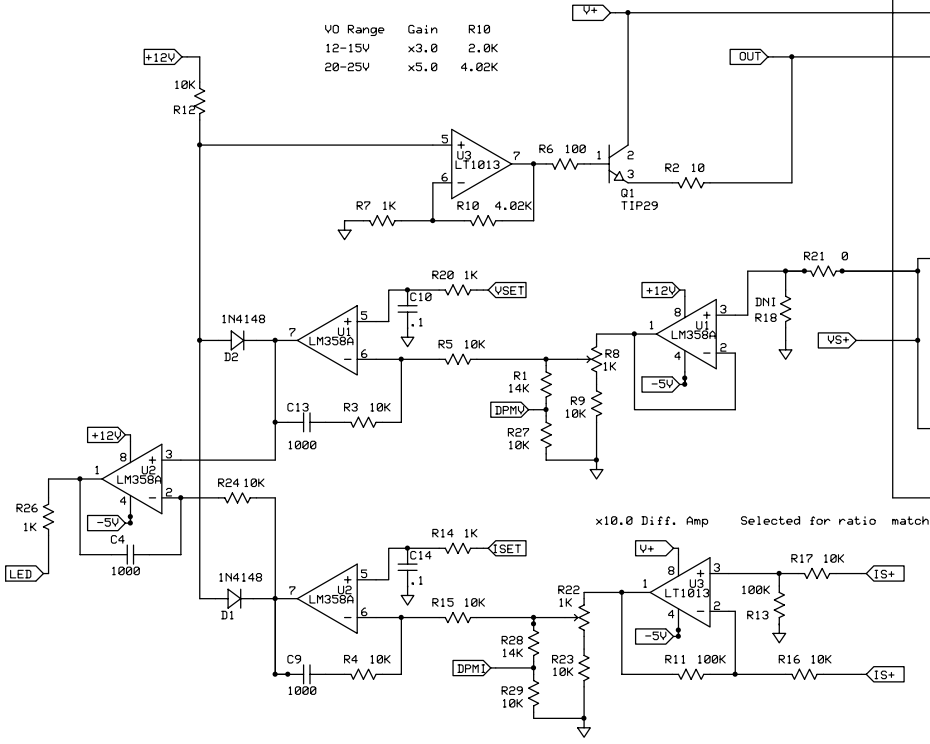
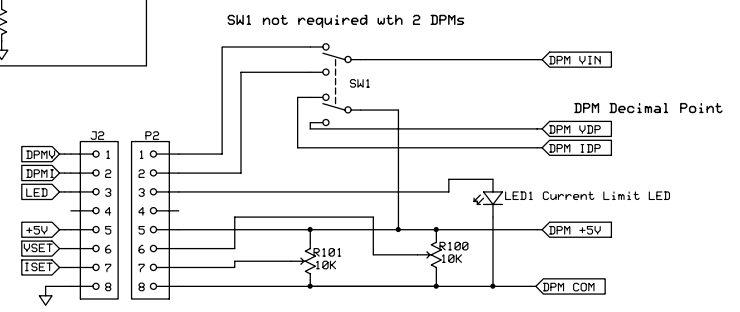


V0 Range	Gain	R10
12-15V	x3.0	2.0K
20-25V	x5.0	4.02K



R1/R27 and R28/R29 are for 2.0V DPMs
Change for 200mV DPMs

Front Panel, DMM Switching



Erickson Engineering		
Power-One Lab Supply		
Dave Erickson	Rev 1.0 7/10/2007	Page 1 of 1