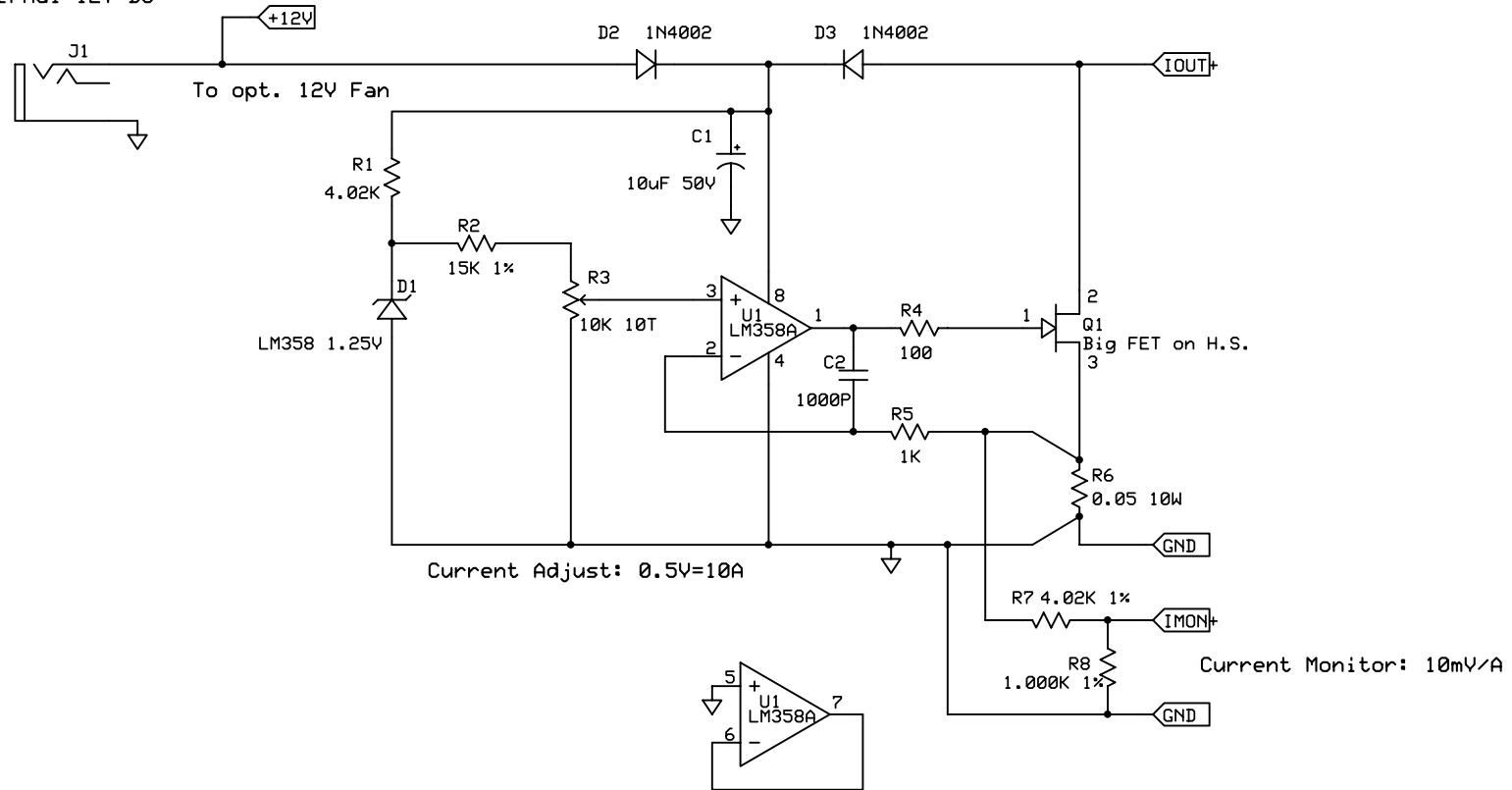


External 12V DC

Note: D3 is optional for self-powered operation



Erickson Engineering		
10A Electronic Load		
Dave Erickson	Rev 1.0	Sh 1 of 1
	7/16/2007	